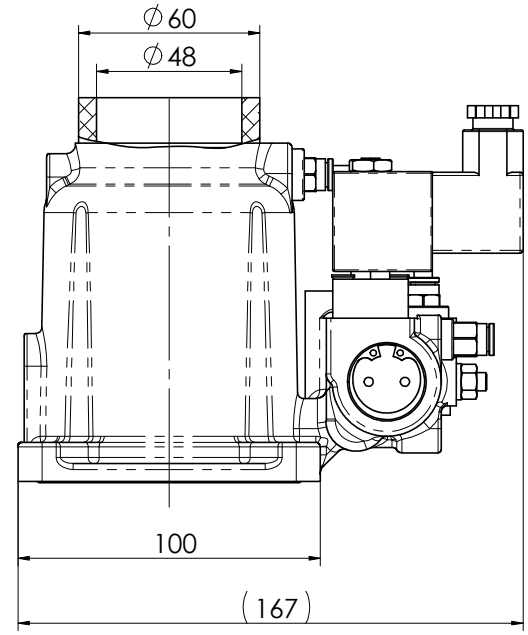
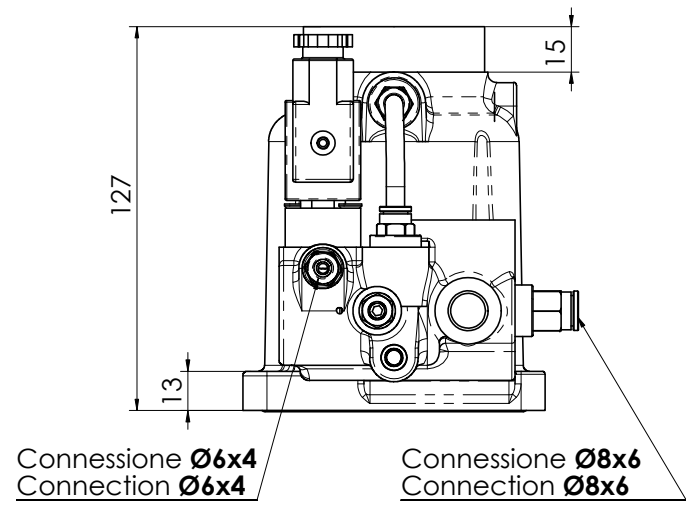
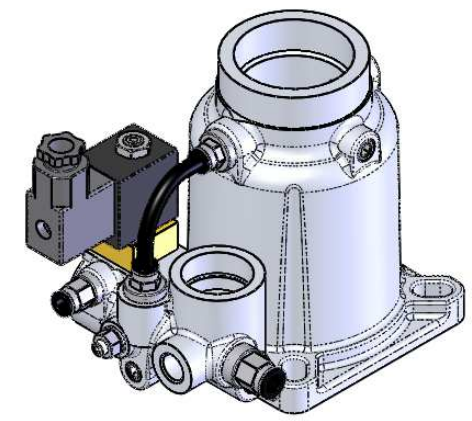
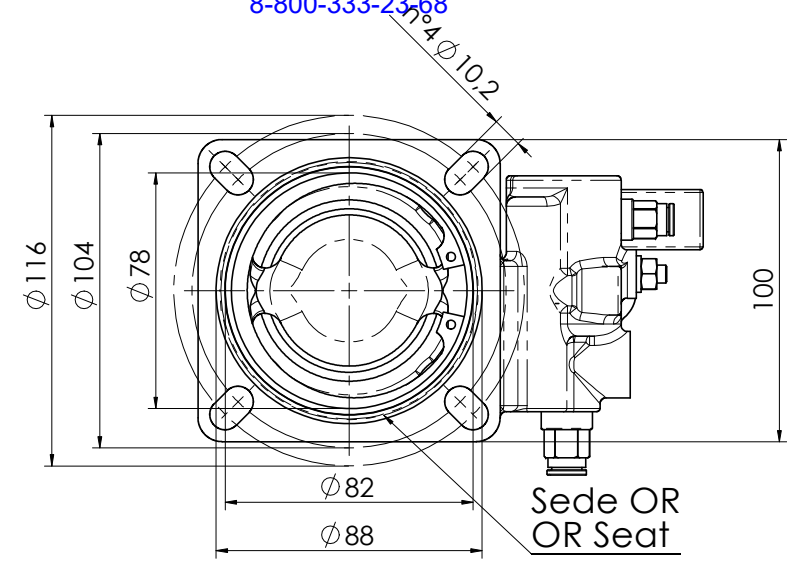


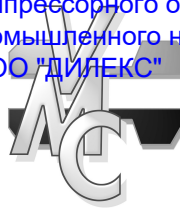
# Valvola aspirazione mod. RH50E

Intake Valve mod. RH50E



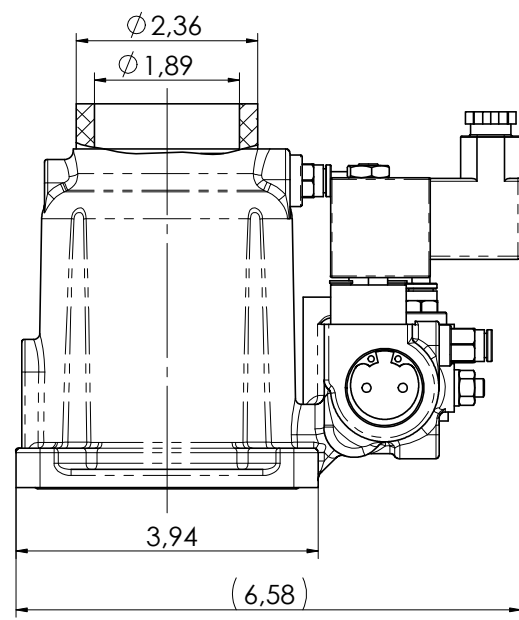
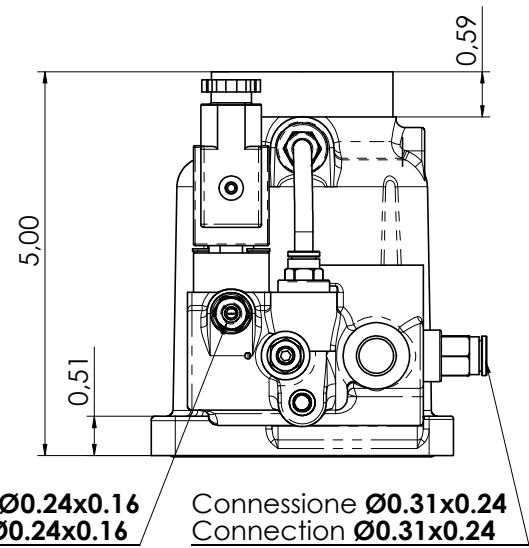
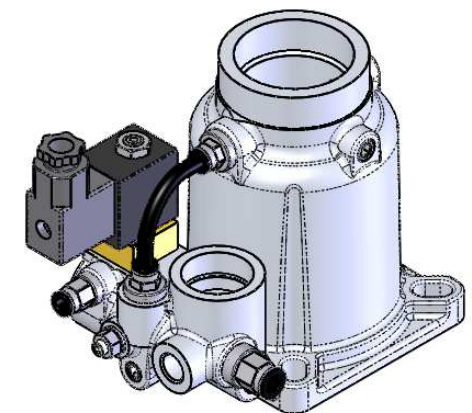
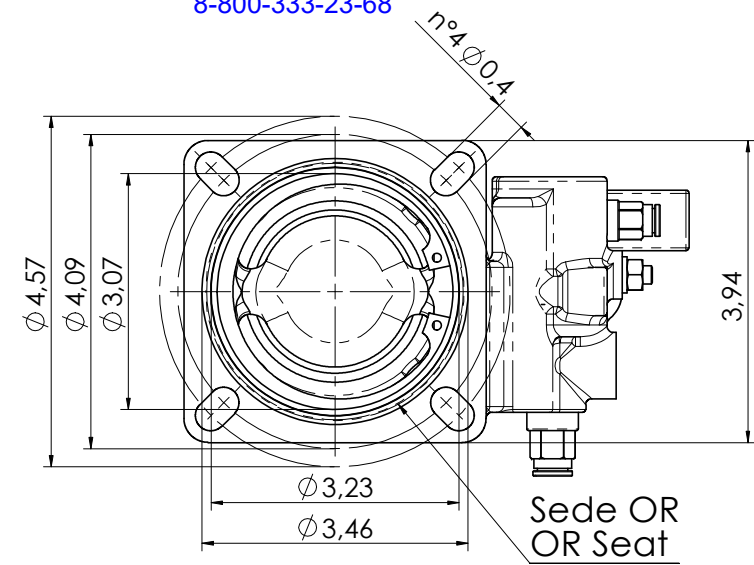
**S.I. sistema internazionale**  
 Le quote mostrate sono in mm  
 The showed dimensions are in mm

TIPO TYPE	PQ	REVISIONE REVISION	00	DATA DATE	11/11	600	ARTICOLO ARTICLE	.59	MODELLO MODEL	Y0
--------------	----	-----------------------	----	--------------	-------	-----	---------------------	-----	------------------	----



# Valvola aspirazione mod. RH50E

Intake Valve mod. RH50E



**U.S. units system**  
 The showed dimensions are in INCH  
 Le quote mostrate sono in POLLICI

TIPO TYPE	PQ	REVISIONE REVISION	00	DATA DATE	11/11	600	ARTICOLO ARTICLE	.59	MODELLO MODEL	Y0
--------------	----	-----------------------	----	--------------	-------	-----	---------------------	-----	------------------	----